



A BULLETIN  
FROM  
TIFAC

# INTELLECTUAL PROPERTY RIGHTS (IPR)

VOL 7 NO. 9 SEPTEMBER, 2001

## Michael Jackson Patents Dancing Shoes



Michael Jackson and two of his costume designers obtained a US patent in 1993 on "Methods and Means for Creating Anti Gravity Illusion". The invention outlines how a special pair of shoes attaches to a stage to allow leaning forward beyond the centre of gravity of the wearer of the shoes. A case study of this patent is presented here.

### Background and Prior Art

Interesting stage designs, lighting, fog generators, laser light shows, and large video screens have been used by music entertainers and dancers to enhance the appeal of their live and recorded performances.

In the past, a professional entertainer, one of the inventors herein, had incorporated dance steps in his recorded video performances, wherein he and other dancers would lean forward beyond their center of gravity, thereby creating an impressive visual effect. This effect was accomplished by the use of cables connecting a harness

around the dancer's waist with hooks on a stage, thereby allowing the dancer to lean forward at the required degree. However, since this requires stagehands to connect and then

*Artists in India, whether they are roadside artists (including magicians) or sophisticated ones, must also be innovating things for making their shows interesting by adding to their shows an element of surprise. How many of them have ever thought of protecting their ideas?*

disconnect the cables, it has not been possible to use this system in live performances. Moreover, the cables obviously restricted arm and body movements.

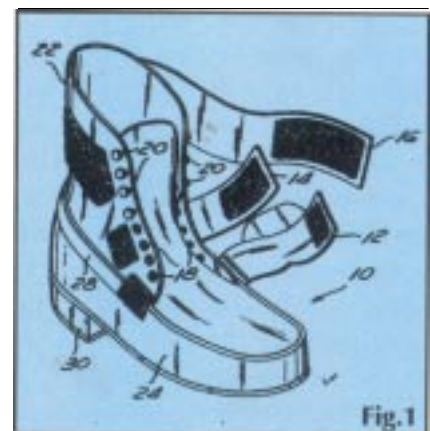
There is disclosed in the prior art, footwear which allow the wearer to engage his or her shoes with a stationary object. U.S. Pat. No. 5,042,173 to Blizzard, et al, discloses footwear which can be worn by astronauts and which can be detachably engaged with a rail fixed to a surface to aid astronauts in working in a zero gravity environment. U.S. Pat. No. 1,165,812 to Staubly discloses a rubber overshoe which has a hook on its sole which can be engaged with a plate fixed to a

surface to assist in removing the overshoe without having to bending down and touching the overshoes.

### Description of the Invention

The present invention overcomes the above noted deficiencies of the previously employed cable system by providing specialized footwear and a moveable hitch or post to which the specialized footwear can be detachably engaged to, allowing the footwear wearer to lean forward on the stage, with his or her center of gravity well beyond the front of the shoes, thereby creating the desired visual effect. The hitch or post protrude upwardly through the stage platform at a predetermined time.

Fig.1 depicts the front



perspective of the shoe utilized in  
Contd on...4

Visit us at [www.indianpatents.org](http://www.indianpatents.org)

## Contact Lens Related Patents Filed in India— An Analysis

New technologies are being evolved and used for eye care, especially for enhancing vision. Availability of new tools for diagnostic purposes and techniques for assessing defects in the human eyes, new materials and manufacturing techniques have enabled sprouting of many new inventions. For example, treatment for presbyopia, a disease of old age related to blurred vision due to weakening of eye muscles was not possible earlier as the right tools, techniques and knowledge were not available. Computers play a significant role in synthesizing a large data obtained from eyes for arriving at correct diagnosis and also for implementing solutions to correct problems. India has a huge population requiring contact lenses; they may range from correcting minor problem of myopia to correcting astigmatism and presbyopia. India, therefore is a good market for such lenses.

It is observed that many patent applications have been filed in India related to contact lenses. Data from Ekaswa-A has been used to extract the information in this regard. Convention applications, where applicable, have also been consulted to get a better insight into the details of the applications filed in India as many convention applications have been either published or granted elsewhere in the world. Thus in such cases, the

bibliographic information given in the Gazette of India has been expanded for better interpretation. The data (Table I) suggests that on an average about 15 applications have been filed every year since 1995, with a maximum number (23) filed in 1999.

**Table I**

Year	No of Applications
1995	7
1996	17
1997	13
1998	15
1999	23
2000	14
<b>Total</b>	<b>89</b>

Interestingly, there is no Indian company active in this area. Companies which have filed five or more applications are given in Table II:

**Table II**

Company	No of Applications
Johnson & Johnson Vision Products Inc	47
Bausch & Lomb	16
Innotech Inc	7
Wesley-Jessen Corp	6

**Johnson & Johnson Vision Products Inc** has filed applications related to progressive addition lenses having regressive surfaces, contact lenses, contact lens with contoured edges, primary package for contact lenses, contact lens transfer and material removal system, manufacturing of contact lenses, contact lenses bearing identifying marks, toric contact lenses, marking for contact lenses,

multifocal ophthalmic lenses, contact lenses with hydrophilic crosslinkers, concentric lens designs for astigmatic presbyopes, aspheric toric lens designs and the like. **Bausch & Lomb Inc** has applications for plasma surface treatment of silicone hydrogel contact lenses, making contact lenses having UV absorbing properties, composition for disinfecting contact lenses, treatment of contact lenses with aqueous solution including phosphoric compounds, disposable contact lenses, method for identifying characteristics of contact lenses and others. **Innotech Inc's** applications relate to method and manufacturing of contact lenses, optical lens preforms, method of making finished lens and refractive index gradient lens. **Wesley-Jessen Corporation** has applications for improved pinhole lenses having very natural appearance, improved pattern for colour modifying contact lens, automatic lens inspection system and method for automatic manufacture and printing on contact lenses and apparatus therefor.

Most patent applications relate to multifocal, toric and progressive/regressive contact lenses which could be used to correct presbyopia and astigmatism. In progressive addition lenses dioptré value of the lens could change from one region of the lens to another region of the lens to take care of different defects/ requirements of the eye. The other interesting feature of these applications is the use of aspheric lenses in

*Contd on...5*

Visit us at [www.indianpatents.org](http://www.indianpatents.org)

## Herbal Patents - Case of *Achyranthes Aspera*



*Achyranthes aspera* is perhaps not a very commonly known herb but it seems to have many uses. It is known as Apamarga in Sanskrit, Latjira in Hindi, Apang in Bengali, Nayurini in Tamil and Prickly-chaff flower in English. The herb is found throughout India. It is a stiff erect herb about 1 m in height with angular, ribbed and branched stems, thick leaves with a tinge of reddish purple colour and greenish white flowers and subcylindric seeds truncated at the apex. The plant is reported to be used in the indigenous medicine system and different parts of the plant are used for curing many health disorders such as piles, pruritus, dysentery, pneumonia, renal dropsy, gonorrhoea, and menorrhagia. Many Indian scientists have been working on this plant since 1952. However, no patent related to this plant has been obtained by them.

### US Patents

There are 3 US patents in which this plant appears as one of the constituents of drug formulation. These patents are:-

1. Herbal and pharmaceutical drugs enhanced with probiotics.
2. Use of an ecdysteroid for the preparation of cosmetic or dermatological compositions intended, in particular, for

strengthening the water barrier function of the skin or for the preparation of a skin cell culture medium, as well as to the compositions.

3. Hydrated lipidic lamellar phases or liposomes based on ecdysteroids.

The first patent deals with enhancement of the curative action of drugs. The second relates to a cosmetic or dermatological composition as well as a cell culture medium and is assigned to a French company. Ecdysteroid is extracted from many plants including *Achyranthes aspera*. The third looks at pharmaceutical composition based on ecdysteroid derived from plants such as *Achyranthes aspera*. This patent is assigned to the same French company.

There are two Japanese and four Chinese patents which use this plant for arriving at some formulations/compositions for different applications.

### Japanese Patents

1. Storability Increasing Agent

This relates to a formulation for increasing storage of perishables (vegetables, fish and shells). The formulation is alkaline in nature and has strong microbicidal and anti-microbial action. *Achyranthes aspera* is one of the plants used for making the formulation. The interesting aspect is that plant ash is used for this purpose.

2. Antibacterial Agent

This deals with a new

composition to be used as a food preserving agent. Extract of *Abelmoschus moschatus* Medik plays an important role which is regarded as folkloric medicine in Indonesia.

### Chinese Patents

1. Nasopharyngeal acarcinoma mixture (II) and its preparation technology.

This relates to a Chinese medicine mixture for relieving effects of radiation therapy given for nasopharyngeal cancer. Fresh leaf of *Achyranthes aspera* is one of the components

2. *Peristrophe japonica* liniment and preparation method thereof.

*Achyranthes aspera* is one of the constituents of a medicine for curing swelling resulting from soft tissue injury.

3. Buccal tablet for throat and its compounding.

4. Chinese patent drug for treating throat disease and producing process.

There is one application (now published) with EPO on a herb composition, herbal paste and plaster using *Achyranthes aspera* as one of the components. The composition is expected to promote blood circulation.

All these patents have been granted/published in the last ten years; most of them after 1995. Similar trends are also observed in respect of other herbs indicating that there is a need to have a fresh look on herbs known for centuries.

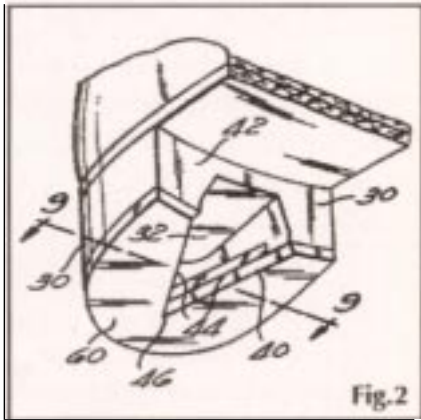


Contd from...1

**Michael Jackson...**

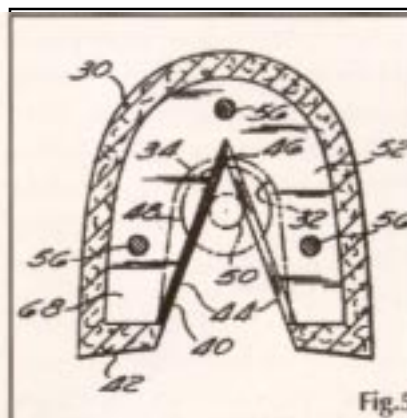
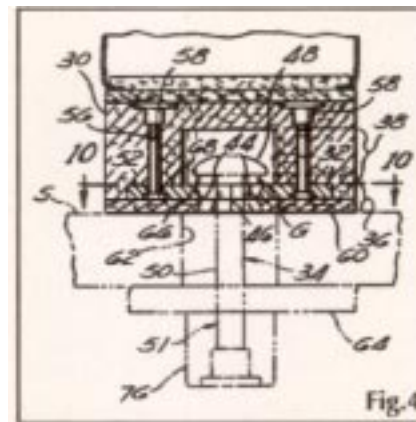
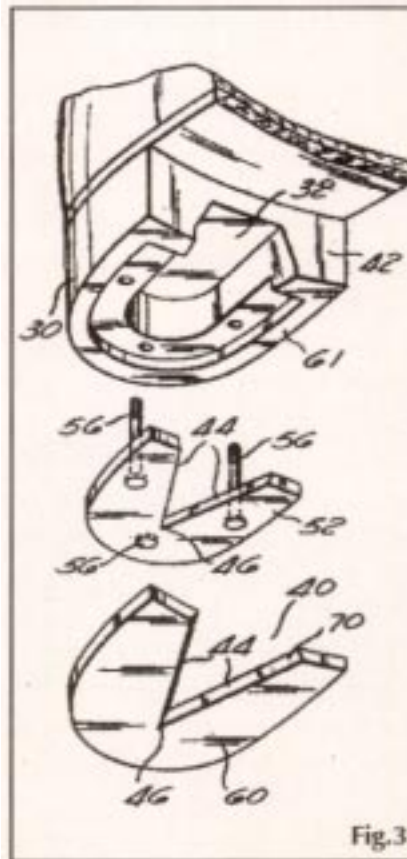
this invention with fastening straps and lacing hooks. The heel of the shoe is suitably designed for engagement to a hitch or post protruding upwardly from the stage floor.

Referring to Fig. 2-5, the heels



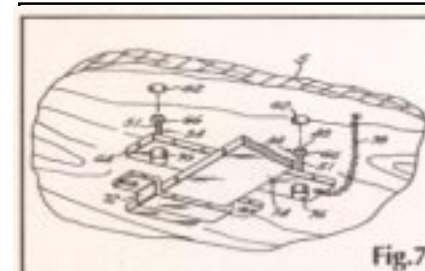
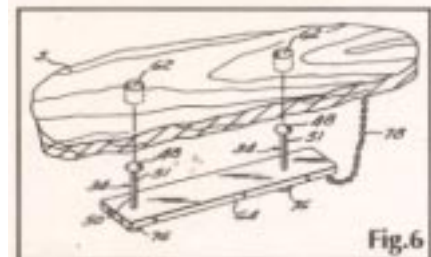
30 of the shoes 10 have a recess 32 formed therein adapted to detachably receive a hitch or post 34, thereby locking the heels 30 of the shoes 10 in place relative to the stage surface S through which the hitch 34 protrudes. A V-shaped guide 40 is located below recess 32, with the mouth of the V located at the leading edge 42 of the heel 30. The guide 40 forms the entrance to the recess 32. The front of the V-shaped guide 40 lies flush with the leading edge 42 of the heel 30. Edges 44, forming the V-shaped guide 40 terminate rearwardly of leading edge 42 at a terminal end point 46.

As shown in Fig. 4 and 5, when the heel 30 of the shoe is placed over the bolt head 48 so that the mouth of the V-shaped slot 40 overlies the head 48, the heel 30 may then be lowered and slid forwardly until the shank



50 of the hitch 34 contacts both edges 44 of the V-shaped guide 40. The bolt head 48 will lie in recess 32 above said V-shaped slot guide 40, and the shoe will be stably positioned relative to the stage floors. Three countersunk bolts 56 and threaded inserts 58 can be used to assure reliable affixation of the metal plate 52 of the heel 30 to the rest of the shoe 10. The exposed outer layer 60 of the heel is affixed to the perimeter 61 of the heel (outlying the metal plate 52) by suitable conventional adhesive and/or tacking means (not shown).

Referring to Fig. 4, 6 and 7, the bolts 51 of the hitch 34 are made to be movably protrudable through holes or openings 62 formed through the stage surface S. The holes 62 are oversized so as to allow the bolt heads 48 to freely pass therethrough. The bolts 51 are permanently affixed to a metal plate 64, and the length of the bolt shank 50 of the bolts is such that when the metal plate 64 carrying the bolts is stably placed against the



Contd on...5

Contd from...4

### Michael Jackson...

underside of the stage surface S, the head 48 will be spaced sufficiently high off the stage surface S so that the bottom edge 66 of the head 48 will clear the top edge 68 of the metal plate 52, leaving a slight gap G. This slight gap G will allow the entertainer to slide his or her shoes 10 forward to engage the head 48 of the hitch 34 with the V-shaped slot 40. It has been found that a gap G of approximately one-eighth of an inch is ideal for lighter dancers, while slightly deeper gaps are required for heavier dancers. The V-shaped guide 40, so formed, is preferred, as it minimizes the chances of the hitch 34 inadvertently getting jammed in the V-shaped guide, and thereby preventing the shoe 10 from being disengaged from the hitch 34 after the "anti-gravity" move is completed.

When the hitch 34 is locked in its raised position, the performer can engage his or her heels 30 with the hitch 34, and he or she can then safely lean forward as far as he or she desires and is capable of, so that his or her center of gravity CG lies in front of the shoes 10.

### Claims

The patent has 13 claims. The main claim is given below in a highly abridged form :

1. A system for engaging shoes with a hitch means to permit a person standing on a stage surface to lean forwardly beyond his or her center of gravity, comprising of different engagement means of shoes with the stage surface.

This patent may look a little bizarre, but it proves one simple point that inventions are born out of needs and problems. An idea which solves an existing problem is a candidate for grant of a patent and such an idea need not be a brainchild of a qualified scientist or an engineer. Artists in India, whether they are roadside artists (including magicians) or sophisticated ones, must also be innovating things for making their shows interesting by adding to their shows an element of surprise. How many of them have ever thought of protecting their ideas? Perhaps none!

Contd from...2

### Contact Lens Related...

place of spheric lenses, which is likely to provide added advantage in removing some edge effects often experienced with spheric lenses and reducing the weight of the lens. Table III gives an idea of the number of applications filed in the various areas related to contact lenses.

Table III

Area	No. of Applications
Lens manufacturing	20
Lens material	11
Lens cleaning	6
Toric lens	6
Progressive lens	6
Multifocal lens	4

Filing of patent applications by these companies is precursor to their manufacturing/marketing of products, based on the inventions claimed in these applications in India. One could expect a new range of contact lenses in India in the near future.

## Book Review



**Introduction to the Guiding Principles, the Decisions on Patent Laws - compiled and edited by Dr. K. V. Swaminathan and published by Bahri Brothers, Delhi.**

Patent laws, for that matter any other laws, have to grow and mature on the basis of interpretations and analysis rendered by courts in disputes brought before the courts for settlement. Life, so is the law, cannot be perceived only in terms of black or white. There are many grey shades between the two and these have to be observed, discerned and put forward clearly for paving the way for future decisions in similar disputes. Patents are granted for inventions, which satisfy the conditions of novelty, non obviousness and utility. In addition, validity of a patent is also dependent on adequate disclosure of the invention and correct declaration about inventorship and ownership. All these matters are discussed by courts while deciding cases related to patent revocation and infringement.

Dr. Swaminathan with his wide and extensive experience in technology management, has successfully compiled a large number of very useful case laws decided by courts in many countries such as Australia, China, Germany, India, Japan, South Korea, Netherlands, UK and USA. These cases have been selected from different

Contd on...6

Contd from...5

### Book Review...

books, journals and internet. The noteworthy books, journals and sources are : "Court Cases and Materials for Intellectual Property" by W.R Cornish, "Patents and Federal Quotations" by Robert and Herman, Patent World, IIC journal and internet. In all 101 case laws have been discussed related to novelty, obviousness, disclosure, priority, inventorship, doctrine of equivalence, compulsory licenses, parallel imports, infringement, injunction, damages and revocation. Some very good case laws such as State Street Bank and Trust Company Vs. Signature Financial Group Incorporated, Hindustan Lever Ltd., Vs. Godrej Soaps Ltd. and United States Surgical Corporation Vs. Ethicone Incorporated & Johnson and Johnson Hospital Services Inc. have been included in the book. Readers are recommended to study all the cases related to obviousness, as this area is not quite understood by many practitioners of patents, scientists and technologists. The doctrine of equivalence is an important area for drugs and pharmaceutical companies; case laws covered in the book would help in clarifying the associated concepts and planning strategies. 101 case laws have been very well supported by an overview which is extremely useful in developing theoretical understanding about various aspects involved in patent litigation. It is for the first time that one has come across coverage of cases taken up by the Dispute Settlement Board under WTO.

It is reckoned that it is difficult to give many details about the cases within a limited size of this book. If patent numbers and other details of concerned patents were given, it would have become a good tool for research as well. In nutshell, the book can become an excellent reference material for institutions, universities and industry. - Highly recommended.

---

### Litigation Watch

Heraeus Quarzglas GmbH filed a suit in July 2001 in a court in Germany alleging that Corning Inc. had infringed its European patent on fused silica glass used in the optical components of stepper machines. It is reported that Heraeus has asked for damages and injunction and also requested the court to advise Corning to refrain importing or selling products in Germany.

NKK Corporation has won a law suit against Nippon Steel; the latter was found to infringe a patent of NKK on automotive coated steel sheets. The court has ordered Nippon to pay 15 million pounds as damages and the costs of the law suit.

A federal court in USA has dismissed a copyright and trademark infringement lawsuit against a Utah artist who uses Mattel's Barbie dolls in his photographs. The judge opined that as the photographs were a parody, they did not hurt Mattel's marketing of dolls. Therefore no injunction was given on the sale of the photographs.

Superchips Inc. had filed two lawsuits against three rival firms for infringing its copyright. The suits are concerned with the ownership of instructions embedded in computer chips designed to adjust engine timing, the fuel curve and other settings in factory installed car engines. Superchips have charged that a fired employee took copies of his company auto chip related software and a " tuning book" containing data on performance of cars and trucks. This has allowed others to copy the product and compete with Superchips in an unfair manner. According to Superchips it has lost 30% of its business amounting to roughly 1.5 million pounds

A UK based seller of software (Stone Computers) entered into an out of court settlement with Microsoft for selling pirated software. The selling company claims that it did not know that the software it was selling (Windows 98) was a pirated version.

Eli Lilly has lost a lawsuit related to patent on Prozac, an anti depressant drug whose patent (owned by Eli Lilly ) expires soon. Barr Laboratories has developed a generic version of Prozac and is likely to put this version into market this year. Eli Lilly's plea to stop the entry of the generic drug was turned down by a District court in Indiana. However, Eli Lilly has the freedom to approach the Supreme Court for redressal of its problem.

Visit us at [www.indianpatents.org](http://www.indianpatents.org)



## Patents for Opposition

The following patent applications have been accepted by the Patent Office and published in the Gazette of India. These can now be opposed by filing opposition applications within a period of four months from the dates given. Six digit numbers allotted after acceptance by the Patent Office are given before the applicant names and patent application numbers given in brackets. Names of the branches of the Patent Office are denoted in the application number, e.g. 'Bom' for Bombay branch. An opposition application should be submitted at the appropriate office where the concerned application was originally filed.

### PATENT APPLICANTS

### INVENTION

#### A. 28 July, 2001

186271. Miklinjul Corpo, USA (187/Cal/95)	An apparatus for controlling electric power to an ac power distribution system
186272. Interwave Communications Ltd, Bermuda (1526/Cal/95)	A base station for communicating over a cellular network
186273. LG Electronics Inc, Korea (1585/Cal/95)	A pulsator washing machine
186274. Cincinnati Milacron Inc, Ohio (1586/Cal/95)	Open frame injection molding machine
186275. Siemens Aktiengesellschaft, Netherlands (1661/Cal/95)	A connector element for printed circuit board
186276. Thomson Television Components, France (2/Cal/96)	Method of manufacture of a connector on a flexible core electrical cable and a flexible-core electrical cable thereof
186277. Harris Corp, USA (1727/Cal/95)	A circuit for swith-hook detection in a telephone system
186278. Daewoo Electronics Co Ltd, Korea (157/Cal/96)	An operational switch for microwave oven
186279. Celanese Gmbh, Germany (256/Cal96)	A process for the purification of C3 C10 alcohols
186280. Koninklijke Philips Electronic, Netherlands (268/Cal/96)	A communications receiver or a device
186281. Hindustan Lever Ltd., Mumbai (529/Bom/95)	A process for the manufacture of a high active detergent composition having a storage stability chemical/pH stability of atleast two weeks at 80 c
186282. Mr Darius Ardeshir Wadia Kalpana, India (21/Bom/97)	A precalciner rotary kiln system for cement manufacture
186283. Johnson & Johnson Ltd, India (4/Mum/2000)	A method of making a turmeric based bandage
186284. Johnson & Johnson Ltd, India (5/Mum/2000)	A method of making a turmeric based bandage
186285. Sun Pharmaceutical Industries Ltd, Mumbai (76/Mum/2000)	A process for the isolationof substantially pure 1(aminomethyl) cyclohexaneacetic acid from an aqueous solution of its acid addition salt
186286. Bayer Aktiengesellschaft, Germany (80/Mum/2000)	A process for preparing 2-chloro-5-chloromethylthiazole
186287. Bayer Corp, USA (82/Mum/2000)	An improved process for making 2(methylsulfonyl)-5(trifluoro methyl)-1 3-4-thiadazole
186288. Farm-Biotech Private Ltd, Gujarat (104/Mum/2000)	An improved process of preparing synergistic bio-fertilizer

## PFC on the move.....

1. During the month of September, three patent awareness workshops were organised. The first one was organized at Jalpaiguri Engineering College, Jalpaiguri on September 1, in association with the Patent Information Centre (PIC), West Bengal State Council for Science & Technology, Kolkata. The second one was organized at the request of Indian Oil Corporation at their R&D Centre, Faridabad on September 5. The third one was held at Roorkee University, Roorkee on September 6. The workshops had a participation of about 350 scientists and technologists.



*(Workshop held at Roorkee University)*

2. Eight patent applications were filed, including two in India and six in other countries.
3. A patent was granted in Pakistan during the period. With these, PFC has a total of ten patents, five in US, two in UK, one each in India, Pakistan and Sri Lanka.

Visit us at [www.indianpatents.org](http://www.indianpatents.org)

186289. Lupin Laboratories Ltd, Mumbai (481/Mum/2000)	A process for preparation of a synergistic pharmaceutical composition for prophylactic treatment of migraine
186290. Prof Ram Bahadur Singh et., Mumbai (668/Mum/2000)	A process of preparing new anti-oxidant composition for the treatment of caronic renal failure and heart failure
186291. The Proctor & Gamble Comp, USA (993/Del/91)	An improved detergent composition
186292. UOP, USA(73/Del/92)	A process for reconditioning of a deactivated catalyst
186293. Tj Gundlach Comp, USA (241/Del/92)	Traversing roll breaker apparatus
186294. Andre Christian Convents, UK(0579/Del/92)	A detergent composition containing polyhydroxy fatty acid amide surfactants and a clay softening system
186295. CSIR, New Delhi (629/Del/92)	An improved prop with high setting load useful for supporting mine roofs
186296. Albright & Wilson Ltd, England (464/Del/93)	An improved method of makin n n-dialkylglycamine compounds
186297. CSIR, New Delhi (2504/Del/96)	An improved process for the preparation of natrual blue colourant phycocyanin from spirulina
186298. The Board Of Regents Of The University, USA (2565/Del/96)	A process for extracting morphine from opium
186299. Dongbu Hannong Chemical Comp, Korea (1757/Del/97)	A process for preparing 2-chloro-3 5-bis (trifluoromethyl) phenyl benzoyl urea derivative
186100. Bayer Aktiengesllschaft, Germany (1860/Del/97)	A process for preparing compounds of 2 3-disubstituted 4-hydroxyanilines
<b>B. 4 August, 2001</b>	
186301. GEC Alsthom SA, France(643/Del/92)	A medium-or high-tension circuit breaker device having abutting arcing contacts
186302. CSIR, India (969/Del/92)	An improved process for the codeposition nickel-titanium carbide on mild steel
186303. CSIR, India (0997/Del/92)	A process for the preparation of zieglermatta type soluble homogeneous catalyst useful for the preparation of a oletin polymers
186304. CSIR, India(1125/Del/92)	An improved electronic safety device
186305. Rohm And Hass Co, USA (295/Del/93)	A process for the preparation of an aqueous dispersion comprisig parts having a core and shell
186306. Anurag and et al, India (365/Del/93)	A process for the recovery of solid and reusable urea from the urea adduction process
186307. Shell Oil Company Inc, USA(465/Del/93)	A continuous or batch-wise process for the preparation of a low density porous cross-linked polymeric foams
186308. The Proctor And Gamble Co, USA (471/Del/93)	An absorbent article for wearing within the crotch portion of garment
186309. CSIR, India (548/Del/93)	A process for the preparation of tetragonal zirconia polycrystalline ceramic with non-transformable tetragonal(t) phase
186310. Steel Authority of India Ltd, India (566/Del/93)	A gunning machine for semi-dry gunning of metallurgical furnaces
186311. The Secretary of State for Defence in Her Britanic Majesty's Government of The United Kingdom of Great Britain and Northern Ireland, England (582/Del/93)	A pressure breathing mask

## International News

Four US patents have been awarded to 3-Dimensional Pharmaceuticals Inc (3DP) covering novel classes of protease inhibitors. Some of these inhibitors exhibit antithrombotic activity via direct, selective inhibition of thrombin. These patents also describe compositions for inhibiting loss of blood platelets formation of blood platelet aggregates, formation of fibrin, thrombus formation, embolus formation and others.

**(Journal of Intellectual Property Rights, September 2001)**

Matrix Pharmaceutical Inc has obtained a US patent covering the composition of IntraDose injectable gel (cisplatin/epinephrine). The patent has claimed composition of matter, method of preparation and kit preparation. IntraDose is a new approach to treating locally recurrent or metastatic cancer. It delivers high concentration of cisplatin at the injection site for an extended time period while reducing systemic effects associated with intravenous administration.

**(WISTA IPR Biotechnology, Vol 3 Iss 2, Aug 2001)**

Australia has acceded to Madrid Protocol Treaty for the international protection of trademarks with effect from July 2001.

Finland has become the 17th State to ratify the 1991 Act of the UPOV (Union for Protection of New Plant Varieties). It was already a member of UPOV. The

*Contd on...9*

Visit us at [www.indianpatents.org](http://www.indianpatents.org)



186312. The Board of Regents of The University and Community College System Of Nevada, USA (2564/Del/96)	Solid-phase synthesis of codeine from morphine
186313. CSIR, India (2629/Del/96)	An improved process for the preparation of 1-substituted 4-substituted aminomethyl pent 1 4-dien-3-ones useful an anti-hiv and spermicidal agents
186314. CSIR, India (2630/Del/96)	A process for the preparation of specific antibodies (proteinaceous compound) useful for the diagnosis of anorexia or loss of appetite
186315. Panacea Biotec Limited, India (2780/Del/96)	A novel composition
186316. Board of Trustees of the University of Kentucky, USA (947/Del/97)	A method for producing a chimeric isoprenoid synthase polypeptide
186317. Ranbaxy Laboratories Ltd, India (1064/Del/97)	Improved process for the preparation of lovastatin
186318. CSIR, India(1267/Del/97)	A process for the preparation of novel antidiabetic faomulation from humboldtia decurrens
186319. Fabrica Espanola De Products, Spain (1498/Del/97)	A process for preparing a new benzimidazole derivatives
186320. National Research Development Corporation, India (1598/Del/97)	A process for the production of dried algal biomass from spirulina
<b>C. 11 August, 2001</b>	
186321. Daewoo Electronic Co. Ltd, Seoul Korea (1106/Cal/95)	An integrally constructed device for recording on and reproducing from both tape and disc
186322. Dr Rathidranath Maiti of Indian Institute of Technology, Kharagpur (1296/Cal/95)	An improved drive statem such as two gear epicyclic drive similar to hormonic drive system
186323. Atlantic Zeiser Gmbh & Co, Germany (1455/Cal/95)	A printing system comprising a plurality of printing unit
186324. Koninklijke Philips Electronic N V, The Netherlands (1460/Cal/95)	A communication system based on spread spectrum signalling schemes
186325. Samsung Electronics Co Ltd, Korea (1614/Cal/95)	A refrigerator
186326. Daewoo Electronics Co Ltd, Korea (1757/Cal/95)	A video signal encoding apparatus
186327. Windmoller & Holscher, Germany (176/Cal/96)	A varible diameter khief roll
186328. Saint-Gobain Vitrage, France (257/Cal/96)	Pane for automobile vehicle especially rear window or lateral pane
186329. Frigoscandia Equipment AB, Sweden (602/Cal/96)	A method and a device for producing air treated food products conveyed on a foraminated convetor belt
186330. American Cyanamid Co, USA (313/Cal/99)	A process for the preparation of pyridine 2 3dicarboxyilate derivatives
186331. Bausch & Lomb Inc, USA (1017/Del/92)	A process for the preparing hydrophilic copolymer for use as articles in the medical field especially contact lenses
186332. GEC Alsthom Equipments, France (268/Del/93)	Electrical apparatus such as a low tension circuit breaker
186333. Bharat Heavy Electricals Limited, India (383/Del/93)	An improved fluidized bed combustor device for combustor of fuels
186334. BP Chemicals Limited, UK (545/Del/93)	Process for the production of acetic acid

*Contd from... 8*

### **International News**

1991 Act has come into effect in July 2001.

A US patent has been awarded to 2 engineers of Georgia Institute of Technology titled, "Energy dissipating composite members with progressive failure". The engineers Erian Armanios and D. Stefan Danila have devised a tailoring concept that would induce load redistribution, forcing repeated fracture of fibers in other locations. The mechanism increases the amount of fracture surface generated, increases the energy dissipated and causes the material to yield in response.

#### **(High-Tech Materials Alert, Vol 18 No 9, Sept 2001)**

A record number of trademarks and designs have been registered with World Intellectual Property Organization (WIPO) in the year 2000. Almost 23,000 new trademarks were registered with WIPO under the Madrid Agreement and Protocol representing an increase of 15% on the previous year. A total of 21,195 designs have sought registration in 2000 representing a 7.25% increase as against 1999.

A US female inventor has received a US patent (5,875,393) for a " Chat and Chuck" mobile phone made of papers. The phone can be used almost anywhere and is designed to be thrown away when its small allocation of calls is spent.

According to German Patent

*Contd on...10*

*Visit us at [www.indianpatents.org](http://www.indianpatents.org)*

186335. CSIR, India (2633/Del/96)	An improved process for the preparation of 2-oxindole-1-carboxamides
186336. Solvay Interlox GmbH, Germany (76/Del/97)	Process for preparing a stabilized solid compound containing active oxygen
186337. Cosmoferm B V, The Netherlands (276/Del/97)	A dual chamber dispensing system for applying a biologically effective composition
186338. CSIR, India (3066/Del/97)	An improved process for the preparation of 3-benzoylthio-2(s0-methyl propionic acid
186339. CSIR, India (1994/Del/97)	A process for the preparation of optically active carboprost methyl ester
186340. Agrogene Ltd, Israel (674/Del/2000)	Method for preparing synergistic fungicidal mixture for the control of plants diseases
186341. Hindustan Lever Limited, India (380/Bom/98)	A process for the manufacturing tomato products with manipulated aroma profile
186342. Lupin Laboratories Ltd, India (676/Bom/98)	A process for manufacture of an antigenic peptide suitable for use in hiv diagnosis
186343. Hindustan Lever Limited, India (740/Bom/98)	A process for manufacture of a washing composition
186344. Gharda Chemical Ltd, India (559/Bom/98)	An improved process of separating 2 5-dichlorophenol from its eutectic mixture with 2 4-dichlorophenol
186345. Koprana Ltd, India (751/Bom/98)	An improved process for the manufacture of 6-amino penicillanic acid
186346. Hindustan Lever Limited, India (4/Bom/99)	A method of producing bar compositions having bacteriostat activity of greater than about 99.9% in 60 seconds or less
186347. Hindustan Lever Limited, India (99/Bom/99)	A method of making a cold water soluble instant black tea powder
186348. Koprana Ltd, India (124/Bom/99)	Method of improving the reverse osmosis recovery of 6 amino penicillanic acid from aqueous stream
186349. Mitsu Industries Ltd, India (519/Bom/99)	A process for manufacturing esters of 3-phenoxy benzyl alcohol
186350. Laxman Pandurang Kulkarni, India (982/Bom/99)	An improved process for the preparation of synergistic ayurvedic composition for treatment of acne pimples and fair clean face
186351. Subhanjan Mohanty and et al, India (83/Bom/96)	A process of manufacturing from metal powders or their oxides partially alloyed powders for powder metallurgical applications
186352. Hindustan Lever Limited, India (84/Bom/96)	A process for making an oral preparation having an anti-caries activity
186353. Hindustan Lever Limited, India (89/Bom/96)	Cleaning composition comprising quaternised polydimethylsiloxane and nonionic surfactant
186354. Dr Meka Papa Rao, India (112/Bom/96)	A harbour and a method of making harbours on the shore line typically rocky shore line
186355. Crompton Graves Limited, India (43/Bom/97)	A centrifugal pump of fractional horse power
186356. Mr Chandravadan Khatri, Canada (175/Bom/97)	An improved point pen with rubber stamp
186357. Filterwerk Mann+Hummel GmbH, Germany (233/Bom/97)	Filter elements for internal combustion engine
186358. Indian Institute of Technology, Mumbai (371/Bom/97)	A process for the sprout of toxic trace and heavy metals and organic chemicals from effluents using granulated non-living biomass of the fungus rhizopus species
186359. Mr Dilip Champaklal Sanghvi and et al, India (397/Bom/97)	An improved device for measuring dose & discharge solid material

*Contd from...9*

### **International News**

and Trademark Office, a total of 110,392 patent applications were filed in Germany in the year 2000 showing an increase of 17.4% on the previous year. About half of the applications came from within Germany. The top three companies filing applications were Siemens, Bosch and Daimler-Chrysler.

A 16 percent increase in the number of patent applications filed in the year 2000 as against 1999 has been reported by the European Patent Office (EPO). 49.4% applications came from member states of the EPO, 28% from USA and 17% from Japan. Within Europe, highest number came from Germany (20%) followed by France (6.7%), the Netherlands (4.4%) and UK (4.3%). Largest number of applications were filed in the area of electronic communications (9.3%) followed by medical technology (8.8%), electrical components (7%) and data processing (5%)

**(Patent World, Iss 135, Sept 2001)**

### **Domestic News**

A US patent has been granted to Dr. Atul Mathur of Escorts Heart Institute for a special equipment that enables access to brain arteries through a tiny hole in the groin. Balloon angioplasty for cleaning blockages is done once entry into the brain artery (carotid) is made.

**(Journal of Intellectual Property Rights, September 2001)**

*Contd on...11*

**Visit us at [www.indianpatents.org](http://www.indianpatents.org)**

186360. Mr Elis Marshal D'souza and et al, India (402/Bom/97)	A device for storing and feeding poultry feeds
<b>D. 18 August, 2001</b>	
186361. El Du Pont De Nemours & Co, USA (1695/Cal/95)	A process for the manufacture of carbonyl fluoride
186362. LG Electronics Inc, Korea (1689/Cal/95)	Washing water filtering apparatus for dish washing machine
186363. Sandvik AB, Sweden (641/Cal/95)	Drilling tool
186364. Crosfield Limited, UK (1061/Cal/95)	A synergistic granular agglomerate composition suitable for use toothpaste formulations
186365. E I Du Pont De Nemours & Co, USA (1321/Cal/95)	A process for the gas phase isomerization of an acyclic aliphatic nonconjugated 2 al-yl-3-monoalkenenitriles
186366. Siemens Aktiengesellschaft, Germany (41/Cal/96)	Switch-disconnector panel saving three-position disconnectors provided in switch-disconnection chamber
186367. Harnischfeger Technologies In, USA (69/Cal/96)	Dragline having improved walking mechanism
186368. William Allen Trusts Pty Ltd, Australia (280/Cal/96)	An evaporative cooler comprising contra flow air to air heat exchanger
186369. Emitec Gesellschaft Fur Emissionstechnologie Mbh, Germany (295/Cal/96)	Honeycomb body having channels of different flow resistance through which a fluid can flow
186370. Saint Gobain Vitrage, France (89/Cal/96)	Laminated pane quipped with a detector for transportation vehicle and a method of manufacture thereof
186371. Indian Oil Corporation Ltd, India (438/Bom/95)	A method for the preparation of bismuth dialkyl dithiophosphates
186372. Indian Petrochemicals Corporation Ltd, India (523/Bom/95)	A process for the manufacture of xylenes and benzene
186373. Hindustan Lever Limited, India (85/Bom/96)	A process for the manufacture of there dimensional articles with improved hygiene characteristics
186374. Zaverchand Shah & Mrs Kasturben Zaverchand Dedhia, India (254/Bom/96)	A packging means for domestic utensils
186375. Bhabha Atomic Research Centre, Mumbai (397/Bom/96)	A process for the manufacture of an unsupported integrally skinned asymmetric semipermeable polyether amide hydrazide polymeric membrane for use in reverse osmosis
186376. Ashok Hajarilal Garg, India (462/Bom/96)	A trolley mounted telescopic/tiltable self powered lighting mast assembly
186377. Harshad Mohanlal Bhavsar and et al, India(473/Bom/96)	An improved toothbrush
186378. Citurgia Biochemicals Limited, India (504/Bom/96)	A catalytic carbonation process for the manufacture of precipitated calcium carbonate of improved thixotropic properties
186379. Filterwerk Mann+Hummel GmbH, Germany (04/Bom/97)	A fuel distributor for fuel injection installation in internal combustion engine
186380. Indian Petrochemicals Corp, India (20/Bom/97)	A method for recovery and purification of rhenium from spent catalyst
186381. CSIR, India (0418/Del/92)	An interfacing device useful for interfacing a time segmented speech interposition scrambler and a communication channel

*Contd from...10*

**Domestic News**

Mogul Enterprises Inc has received a US patent for an instrument that supplies multiple energy forms for medical use in minimally invasive and general surgery applications. The instrument will supply seven energy forms, one at a time, which are mechanical, pneumatic, radio frequency for electro surgery, radio frequency for ablations, microwave, laser and ultrasonic. The instrument will serve the need of budget-constrained and cost-conscious hospitals that do not have enough financial resources.

**(Journal of Intellectual Property Rights, Sept 2001)**

Morepan Labs has filed patent applications in many countries for an improved process for the preparation of the amorphous form of atorvastin calcium. It will be marketed under the brand name of Orvastin in the domestic market and Lipitor in the US markets.

**(Business Standard, 6 Sept 2001)**

A provisional US patent has been filed by Reliance Life Sciences (RLS) in the area of embryonic stem cells. The patent application covers a novel method of isolation of inner cell mass.

**(Business Standard, 31 Aug 2001)**

A group of 60 developing countries comprising African, Asian, Carribean and Latin American nations has demanded a separate announcement on TRIPS and public health at the Doha Ministerial meet. The group

*Contd on...12*

**Visit us at [www.indianpatents.org](http://www.indianpatents.org)**

186382. The Procter And Gamble Co, USA (424/Del/92)	A fastening device
186383. Avid Marketing Inc, USA (465/Del/92)	An inductively coupled tag reader device
186384. CSIR, India (535/Del/92)	An improved callimator
186385. Shell Internationale Research Maatschappij B V, The Netherlands (729/Del/92)	A process for the hydrogenation of conjugated diene polymers
186386. The Procter And Gamble Co, USA (954/Del/92)	An absorbent article for absorbing various body fluids
186387. The Lubrizol Corp, USA (1038/Del/92)	A process for preparing borate ester
186388. CSIR, India (1088/Del/92)	Telecommunications network
186389. Tambrands Inc, USA (1140/Del/92)	Tampon adapted for insertion into a body cavity and a process for manufacturing it
186390. Paul Wurth SA, Luxembourg (1150/Del/92)	Blowing lance suspension device
186391. Stein Industrie, France (1222/Del/92)	A support device
186392. CSIR, India (1279/Del/92)	A process for the preparation poly [4-(4-hydroxy-2-pentadecyl phynyl) azo] benzoic acid
186393. Virgin Metals (Canada) Limited, Canada (0021/Del/93)	Process for making steel
186394. Honda Giken Kogyo Kabushiki Kaisha, Japan (28/Del/93)	Vehicle transmission apparatus
186395. The Morgan Crucible Co, England (0034/Del/93)	A method of manufacturing insulated article
186396. CSIR, India (073/Del/93)	An improved process for the production of high alumina ceramics having consistent quality
186397. The Procter And Gamble Co, USA (87/Del/93)	A process for the preparation of detergent granules by neutralization of acid from of an anionic surfactant
186398. CSIR, India (189/Del/93)	A process for preparation of water soluble methacrylic acid based polymers
186399. CSIR, India (194/Del/93)	An improved process for the recovery of manganese from manganese oxide ores
186400. CSIR, India (198/Del/93)	An improved antirust dielectric coolant formulation for use in electric discharge and wire cut electric discharge machines

Contd from...11

### Domestic News

also feels that members should retain the right to establish their own policy and rules regarding the exhaustion of intellectual property rights and to grant compulsory licenses. The draft declaration further demands that the rules should allow production and export of medicines under compulsory licenses and this should not constitute infringement of a patent.

**(Business Standard, 24 Sept 2001)**

India has joined hands with Switzerland to seek a special dispensation for items other than wines and spirits which are accorded protection under geographical indications as per Article 23 of the TRIPS Agreement. India wants items like basmati rice and Darjeeling tea to be accorded special dispensation under geographical indications so that they get the same protection as that provided to wines and spirits. A joint proposal is being submitted to the World Trade Organisation.

**(Business Standard, 25 Sept 2001)**

**Please send us questions and topics you would like to see in the coming issues**

### **NEXT ISSUE**

- **Turmeric Related Patents**
- **Case Study**
- **Patents for Opposition**

### **Published by: Patent Facilitating Centre (PFC)**

Technology Information, Forecasting and Assessment Council (TIFAC)  
Department of Science and Technology (DST),  
Technology Bhavan, New Mehrauli Road, New Delhi - 110 016  
Tel.: 6859581, 6863877, 6967458, 6567373 Fax: 6863866  
e-mail: tifac@nda.vsnl.net.in website: www.indianpatents.org and www.tifac.org.in  
**Adviser:** Y.S. Rajan, Executive Director, TIFAC  
**Editor:** R. Saha, Director

Printed by Reliant Press Pvt. Ltd., New Delhi-110 020  
Telefax: 692 4567, 692 9593 e-mail : reliantpress@usa.net

*Visit us at [www.indianpatents.org](http://www.indianpatents.org)*